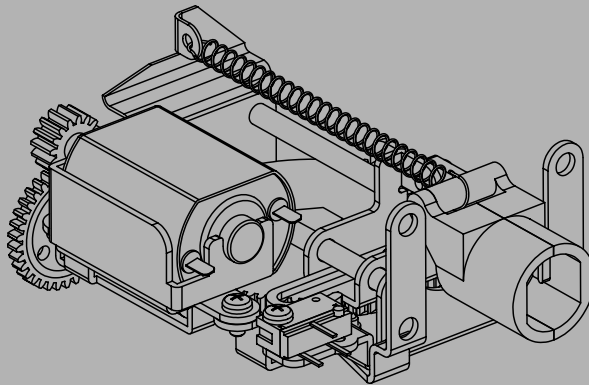


WECOHE PRODUCTS:

Assembly Instructions for the Tamiya 1/16 Scale Tiger I Upgrade Recoilunit



***Read these instructions carefully and review the drawings before
you start the assembly!***

The manufacturer doesn't take any responsibilities neither of any damages or malfunctions that might cause by
modificating original parts nor that might cause by using this product.

Preparation

You need to have the following tools at hand:

- Long or flat nose pliers
- Small **Phillips-tip screwdriver** (+)
- pair of tweezers

After upgrading the recoil unit, it's function is based on a spring that pulls back the gun barrel, in a sudden, realistic movement. The barrel's forerun remains in it's original function but is slowed down via an electronic card (adjustable). The mechanism is enforced by substituting brassmade gears for the plastic items, where they are needed.

Disassembly

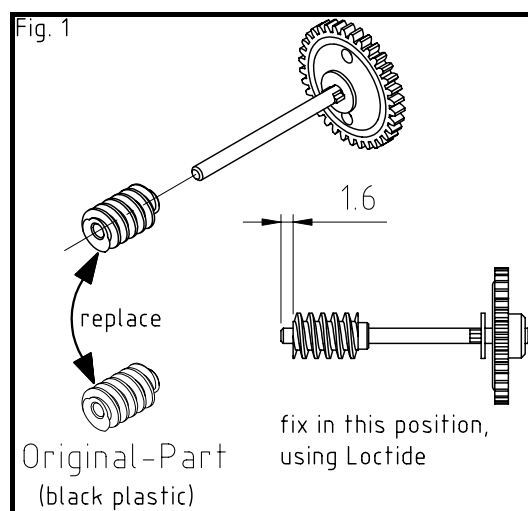
Disassemble the recoil unit by loosening the two screws that fix the motor to the units baseplate.

Modification

Modify the gears axel reffering to figure 1. To fix the new brassmade part to the axel use Loctide or add some mechanic marks to the axel. To do so, place the axel to an hard and plane surface and hit some marks to the axel at the postion of the new part by using a hard tool like a small screwdriver and a hammer. (Attention: the tool could become damaged !)

Be sure not to twist the axel by adding the marks !

Note: All measurements are specified in millimeters!
25.4mm = 1" inch



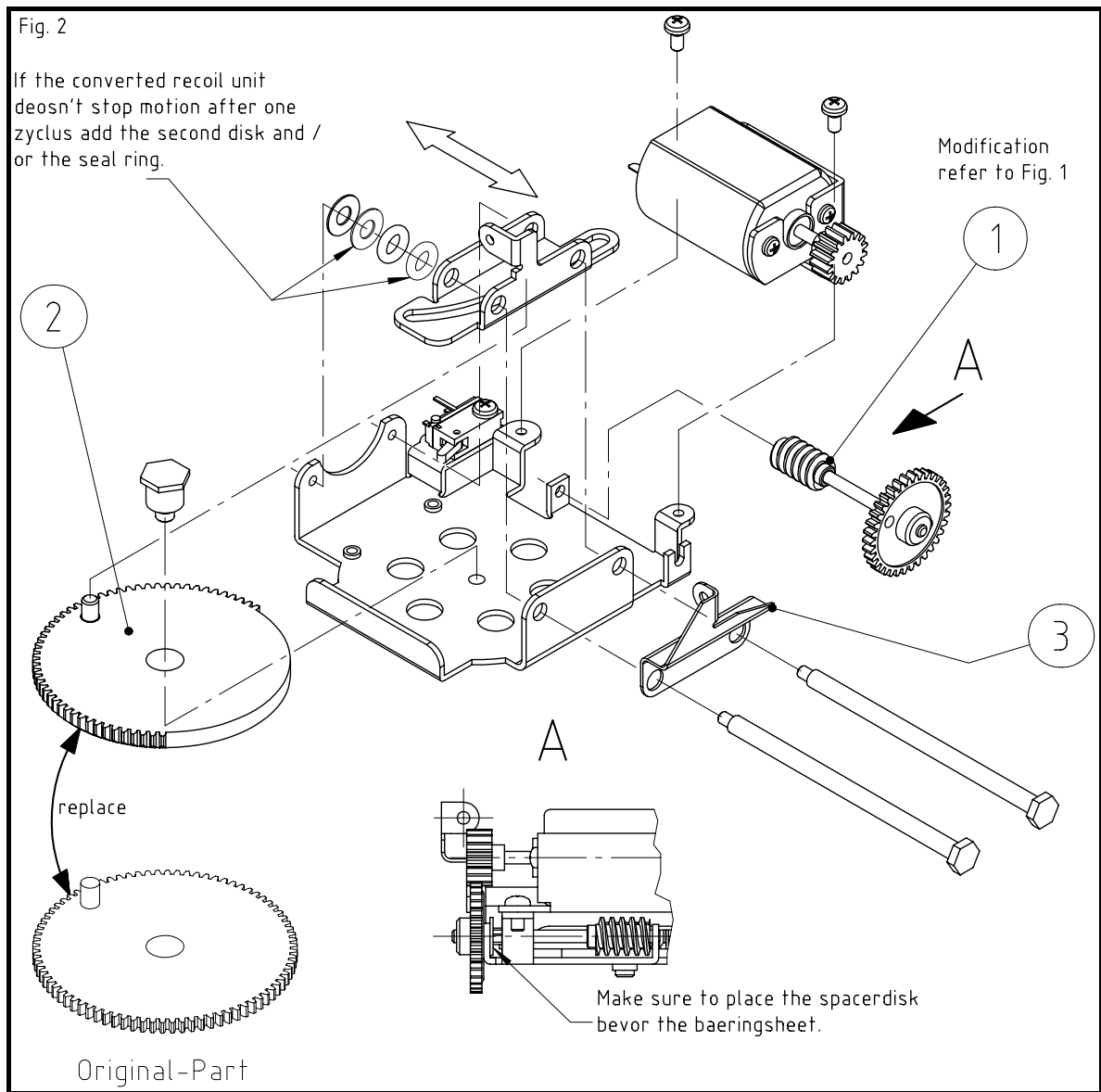
Assembly

ELITE ARMOR PRODUCTION and WECOHE PRODUCTS
Assembly Instructions for Tamiya 1/16 Scale Tiger I Upgrade Recoilunit

Attach everything as shown in the picture. Use the modified axel (1) and the brassmade eccentric gear (2) instead of the original items and don't forget to fix the spring stay (3).

Pay attention to the notes on the drawing.

- 1** - **modified axel**
- 2** - **brassmade eccentric gear**
- 3** - **spring stay**



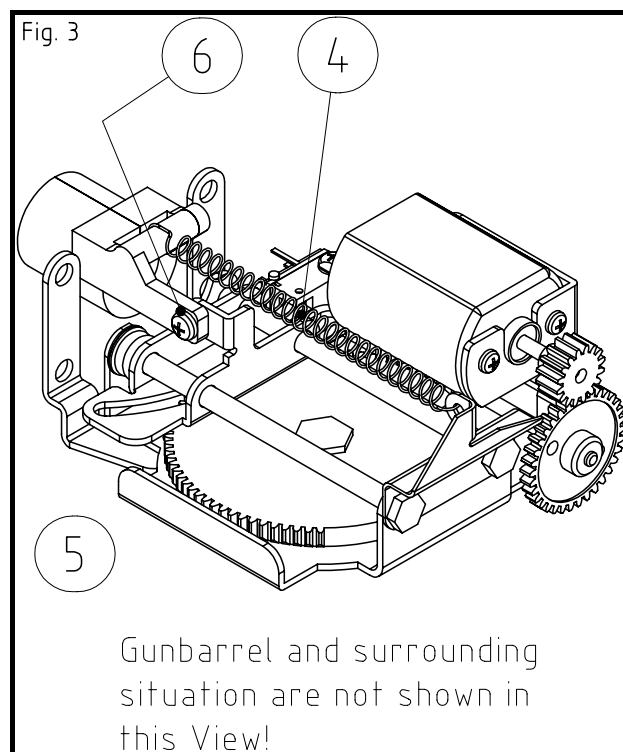
ELITE ARMOR PRODUCTION and WECOHE PRODUCTS
Assembly Instructions for Tamiya 1/16 Scale Tiger I Upgrade Recoilunit

The following step needs to be done while the recoil unit is installed (gun barrel coupler already attached to the gun barrel).

To mount the recoil unit to the holder replace the kit's socket head screws M2x 4mm by using the screws M2x 3mm (5).

Note: First attach the spring (4) to the spring stay (3), then mount it to the gun barrel coupler. If you like to have less recoil-power than replace the original screw the coupler is mounted to the recoil unit with by the socket head screw M2x 10mm and the nuts M2 (6) and use this to hing the spring to.

- 4 - **Recoil spring**
- 5 - **socket head screw M2x3 mm (to mount the recoil unit)**
- 6 - **socket head screw M2x10 mm + 2x nut M2**



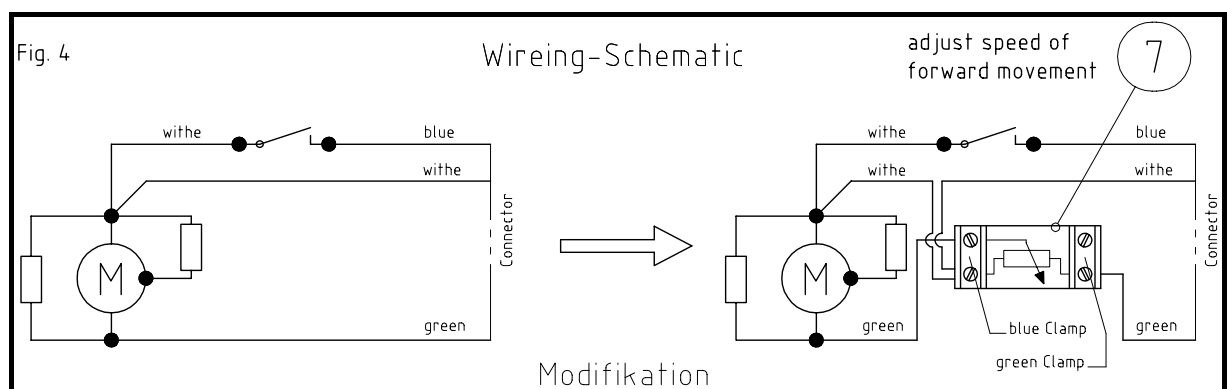
Wiring

Connect the small electrical card (7) as shown in the diagram figure 4 by cutting the white and the green wire. Pay attention to the positioning of the clamps while you are connecting the wires on to.

To adjust the speed of the gun barrels forward movement first bring the potentiometer to a mid position by using a small screwdriver. Turning the potentiometer to one side will slow down the forward movement, turning to the other side will speed up the movement.

Note: Because the movements speed depends on the loading capacity of your battery don't adjust it neither by using fresh reloaded batteries nor nearly empty ones. (If you do the adjustment by using fresh batteries and choose a very slow movement it might cause that if the batteries will become a little bit more empty the movement will stop completely. Otherwise the adjustment of very slow movement by using already nearly empty batteries will become result in a faster movement when you will use freshly reloaded ones. For both cases you will have to correct the adjustment of the potentiometer !)

7 - electrical card



ELITE ARMOR PRODUCTION and WECOHE PRODUCTS
Assembly Instructions for Tamiya 1/16 Scale Tiger I Upgrade Recoilunit

Thank you for your purchase of our products and Happy Tanking!

WECOHE Products

www.wecohe.com